

# HUBER+SUHNER<sup>®</sup> OMNI ANTENNA FOR WIRELESS COMMUNICATION



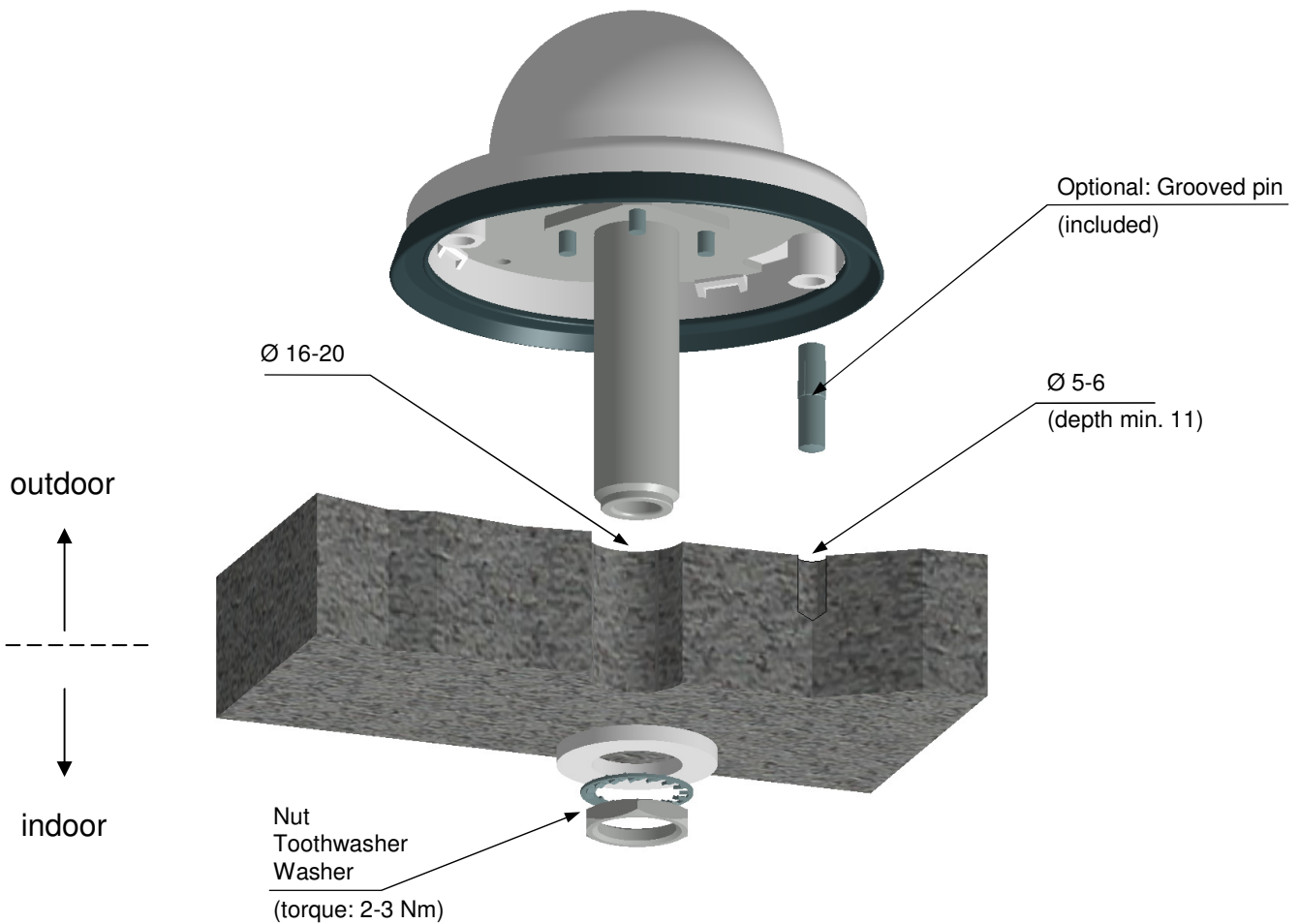
## Mounting Instruction



Keep away from catenary and high voltage lines.  
Be careful when working at height!  
Always secure ladders!  
Always tighten screws!

Antenna designed for outdoor use

Single hole mount



! The contact with acetone, gasoline and oil, should be avoided.



HUBER+SUHNER is certified according to ISO 9001 and ISO 14001

### WAIVER!

It is exclusively in written agreements that we provide our customers with warrants and representations as to the technical contained specifications and/or the fitness for any particular purpose. The facts and figures herein are carefully compiled to the best of our knowledge, but they are intended for general informational purposes only.

HUBER+SUHNER – Excellence in Connectivity Solutions



**HUBER+SUHNER AG**  
**RF Technology**  
**9100 Herisau, Switzerland**  
Phone +41 (0)71 353 41 11  
Fax +41 (0)71 353 47 51  
www.hubersuhner.com

Doc. No. 0000254463  
Art. No. 84041104  
Revision C