



HUBER+SUHNER® SENCITY® ANTENNA FOR IN-CARRIAGE WIRELESS COMMUNICATION

SPA 1500/80/7/0/RCP

GPS Antenna

Technical Data

Electrical Properties

Frequency range	1575.42 ± 1.023 MHz
Impedance	50 Ω
VSWR	1.5
Polarization	circular, right
Gain	7 dBi
3 dB beamwidth horizontal	80°
3 dB beamwidth vertical	70°
Downtilt	0°
Front to back ratio	20 dB
Max. power	75 W (CW) at 25°C

Mechanical Properties

Dimensions	101 x 95 x 32 mm (3.98" x 3.74" x 1.26")
Weight	0.11 kg (0.24 lbs.)
Radome material	LEXAN EXL 9330
Radome colour	RAL 7044 (silk grey)
Socket material	LEXAN EXL 9330
Mounting socket color	RAL 7044 (silk grey)
Operating temperature range	- 40°C to + 80°C
Storage temperature range	- 40°C to + 80°C

Meets the following requirements:

- The antenna complies with railway fire resistant and toxicity standards NF-F-16-101, NFF-16-102
- Housing material complies with UL-94-V-0
- Environmental tests: EN 50155

Available Types

Article no.	
1315.26.0001	84027009 TNC female

Wall mounting material included.

Mounting Hardware

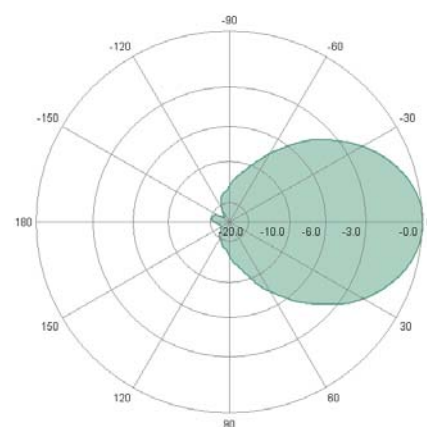
Article no.	
9091.99.0029	22649576 mast mounting accessory
9091.99.0080	22652651 mast mounting and sidetilt accessory

Documents

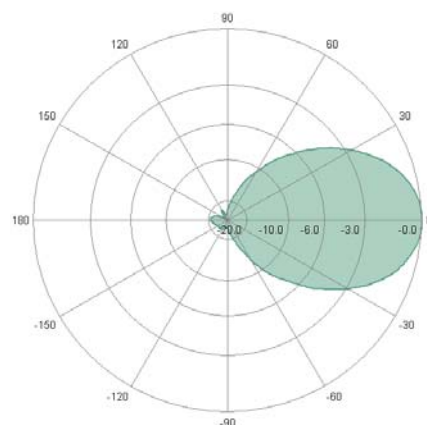
01.02.0777	security instruction
Doc.N°. DOC-0000197953	mounting instruction



Radiation Pattern



horizontal



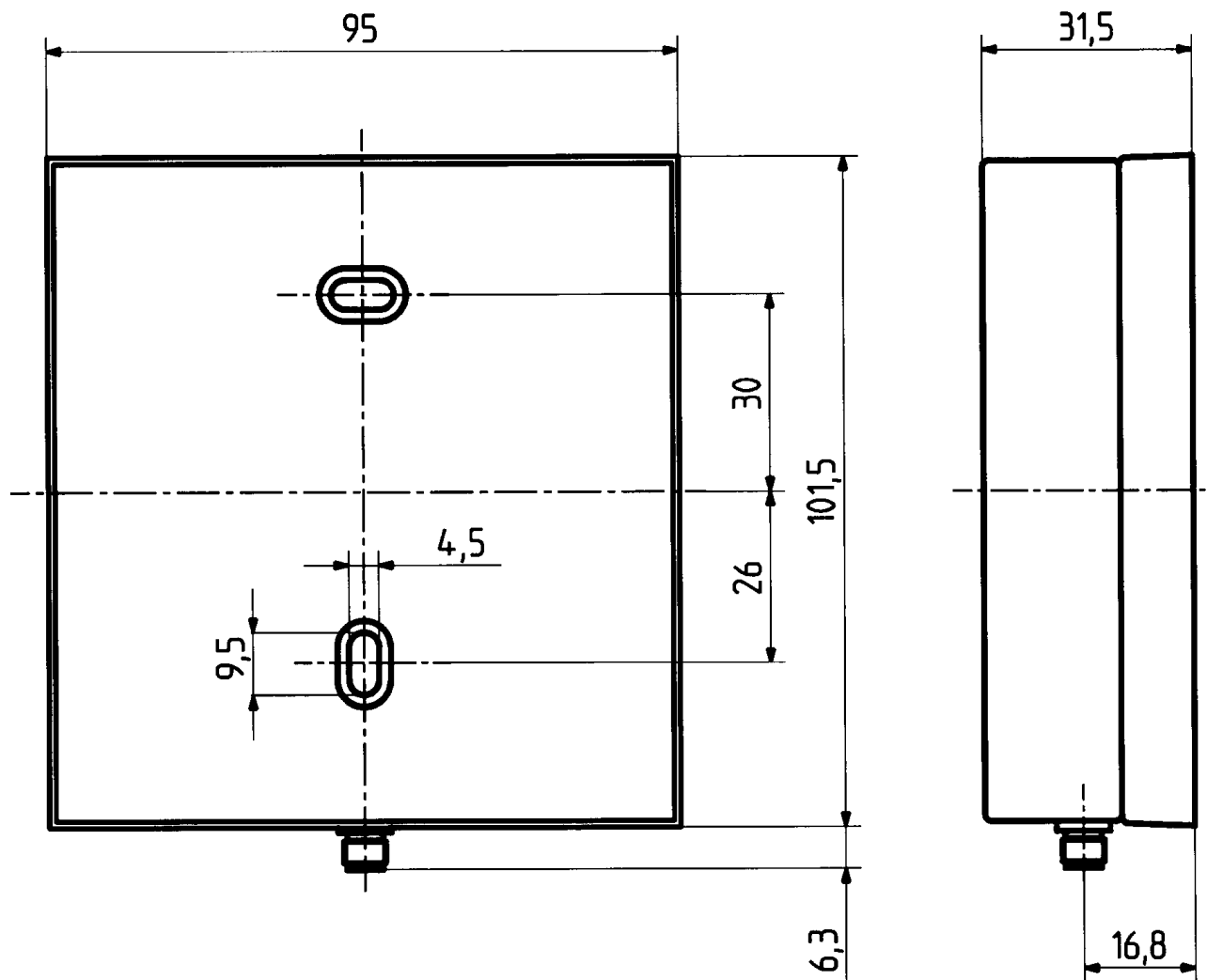
vertical



HUBER+SUHNER[®] SENCITY[®] ANTENNA FOR IN-CARRIAGE WIRELESS COMMUNICATION

SPA 1500/80/7/0/RCP

Dimensions (mm)



HUBER+SUHNER is certified according to ISO 9001 and ISO 14001

WAIVER!

It is exclusively in written agreements that we provide our customers with warrants and representations as to the technical contained specifications and/or the fitness for any particular purpose. The facts and figures herein are carefully compiled to the best of our knowledge, but they are intended for general informational purposes only.

HUBER+SUHNER – Excellence in Connectivity Solutions

Document no.: 01.02.1345
Issue no.: 6
Supersedes: 05.2007

Uncontrolled Copy

Issued/Checked/Released: 4417/4772/05.2006
Last amended: 4735/06.2008



HUBER+SUHNER AG

RF Technology

9100 Herisau, Switzerland

Phone +41 (0)71 353 41 11

Fax +41 (0)71 353 47 51

www.hubersuhner.com