



HUBER+SUHNER®

SENCITY® RAIL ANTENNA

FOR TRAINBORNE WIRELESS COMMUNICATION

SWA 0859/360/4/0/V

Multiband antenna: GSM 900, GSM 1800, GSM/PCS 1900, UMTS, 2.4, 3.5, 5.3 and 5.8 GHz Bands



Technical Data

Electrical Properties Multiband Antenna

Frequency range (MHz)	870 - 960	1710 - 2170	2400 - 2700	3400 - 3700	5150 - 5935
Impedance	50 Ω				
VSWR	< 1.5	< 1.5	< 1.5	< 1.5	< 1.5
Polarization	linear, vertical				
Gain (using a 1 m ² ground plane)	6 dBi	8.5 dBi	9.5 dBi	9.5 dBi	8.5 dBi
Max. power	400 W (CW) at 50°C				

Mechanical & Environmental Properties

Dimensions	260 x 100 x 90 mm (10.24" x 3.94" x 3.54")
Weight	1.1 kg (2.43 lbs.)
Radome material	high impact acrylic styrene acrylonitrile (HRA150)
Radome colour	RAL 7043 (dark grey)
Back/base plane material	aluminium with polyurethane powder coating
Back/base plane colour	RAL 7043 (dark grey)
2002/95/EC (RoHS)	compliant
Operating temperature range	- 40°C to + 80°C
Storage temperature range	- 55°C to + 85°C

Meets the following requirements:

- Protected against the effects of continuous immersion in water IP68 (only if correctly installed)
- EN 50155, electronic equipment used on rolling stock
- EN 50124-1, insulation coordination (27.5 KV AC and 3.8 KV DC).
- High voltage and high current protection according to Deutsche Bahn specifications (protection against short circuits of 40 KA).

Available Types	Article no.	
1399.17.0039	23041568	N female

Mounting Hardware	Article no.	
9091.99.0175	23041581	Adapter panel ¹

¹: Allowing the replacement of the antenna from another antenna manufacturer, without any modifications of the mounting holes located on the vehicle's roof. Using this interface, the mounting hole dimension for the connector has to be 17 ... 42 mm and the antenna secured using four M10 screws.

Documents

01.02.0777	security instruction
01.02.1510	mounting instruction

Material: The antenna is designed according the military standard MIL-F-14072D, which guarantees a long-life without corrosion.

Mounting: On a conductive surface clear of paint and other contaminants.
To ensure a correct sealing between the antenna and the roof, the connector mounting hole dimensions have to be 17 ... 42 mm. The antenna has to be secured using four M8 screws.

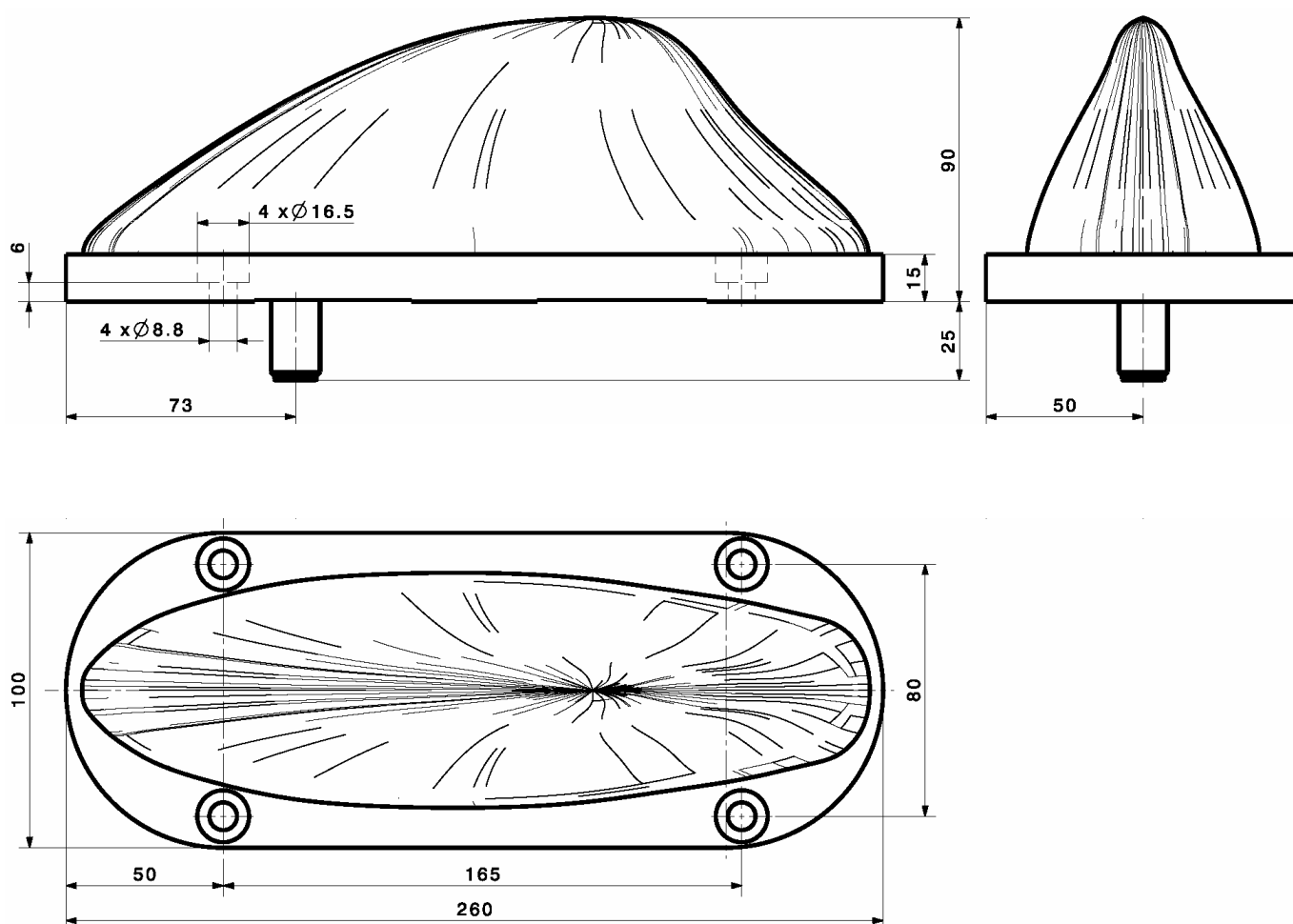
Grounding and high voltage protection: All antenna parts are grounded to protect against lightning and catenary lines according to UIC 533.



HUBER+SUHNER® SENCITY® RAIL ANTENNA FOR TRAINBORNE WIRELESS COMMUNICATION

SWA 0859/360/4/0/V

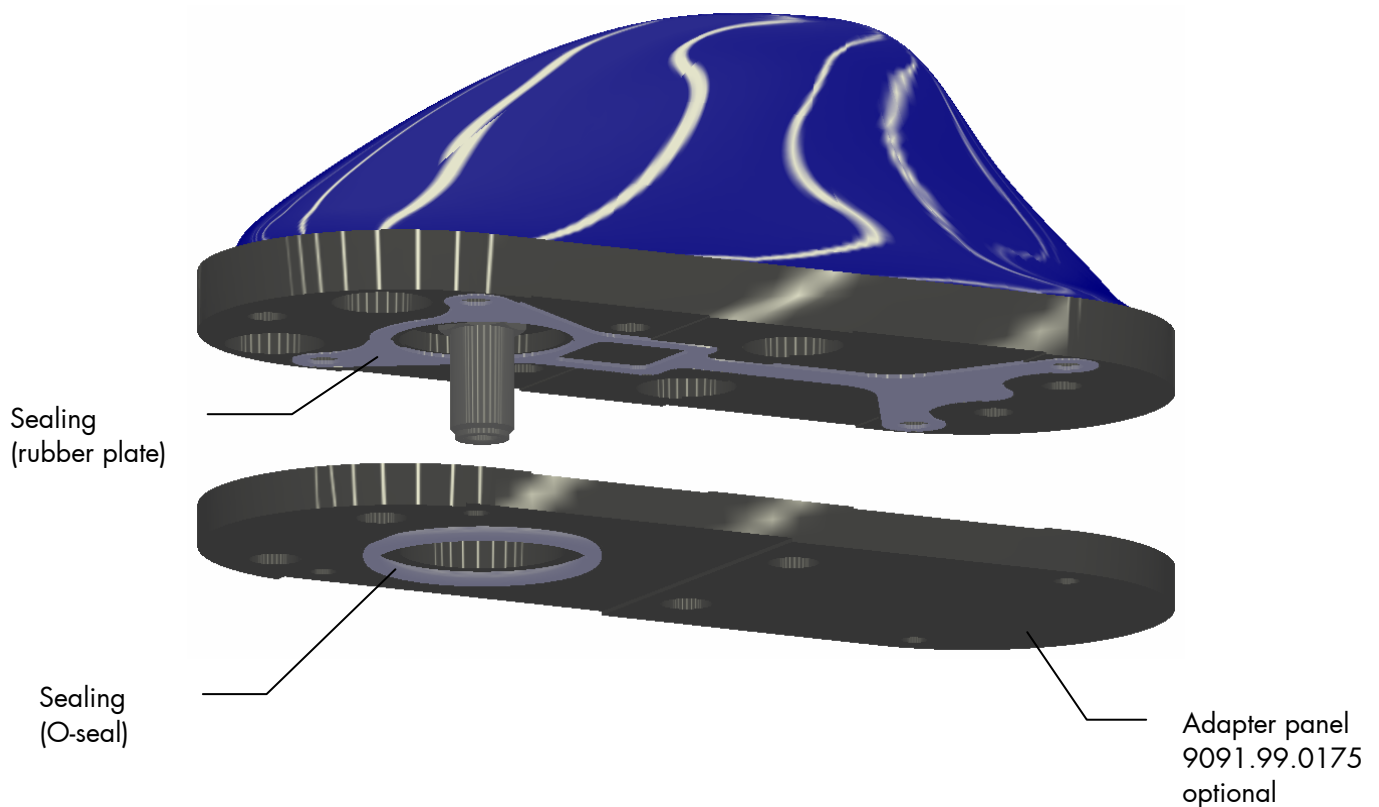
Dimensions (mm)





HUBER+SUHNER® SENCITY® RAIL ANTENNA FOR TRAINBORNE WIRELESS COMMUNICATION

SWA 0859/360/4/0/V



HUBER+SUHNER is certified according to ISO 9001 and ISO 14001

WAIVER!

It is exclusively in written agreements that we provide our customers with warrants and representations as to the technical contained specifications and/or the fitness for any particular purpose. The facts and figures herein are carefully compiled to the best of our knowledge, but they are intended for general informational purposes only.

HUBER+SUHNER – Excellence in Connectivity Solutions

Document no.: 01.02.0948
Issue no.: 20
Supersedes: 07.2006

Uncontrolled Copy

Issued/Checked/Released: 4159/4772/03.2003
Last amended: 4417/08.2006



HUBER+SUHNER AG

RF Technology

9100 Herisau, Switzerland

Phone +41 (0)71 353 41 11

Fax +41 (0)71 353 47 51

www.hubersuhner.com