

HUBER+SUHNER[®]

SENCITY[®] RAIL EXCEL ANTENNA

FOR WIRELESS COMMUNICATION



Mounting Instruction



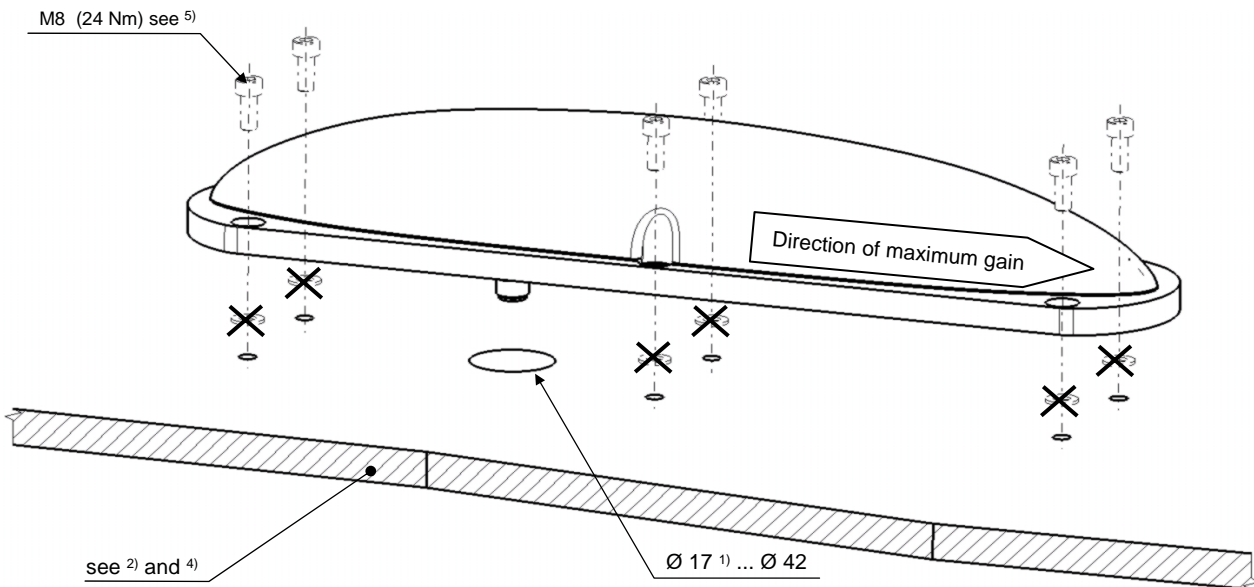
Keep away from catenary and high voltage lines.
Be careful when working at height!
Always secure ladders!
Always tighten screws!

If exposed to extreme environmental conditions, especially polluted atmosphere, the connectors should be covered with a self-vulcanising tape or a cold shrink tube.

Dimensions in millimetre [mm]

- 1) The diameter of the hole should allow for the tightening of the N plug connector to the antenna. The standard N plug connector has a diameter of $\varnothing 21$.
- 2) The roof of the vehicle should have sufficient mechanical stability to ensure a correct sealing of the antenna.
- 3) The antenna has to be sealed around its whole perimeter with an appropriate sealing to ensure a correct sealing of the antenna.
- 4) The electrochemical potentials between the antenna (aluminium) and the roof should be minimized. The roof of vehicle has to be clear of paint and other contaminants (protection against short-circuit with overhead lines).
- 5) Mounting screws are not included. The indicated torque is given assuming the antenna installed on a 8mm thick steel mounting plate with M8 cylinder head screws according to ISO 4762 and a minimum length of 14mm.

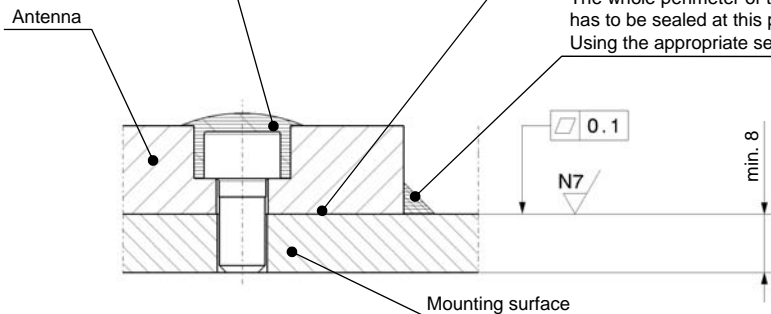
Plate mounting



The six screw enclosures must be sealed using the appropriate sealing.

According to UIC 533 standard a sufficient electrical contact between the antenna and the roof has to be ensured.

The whole perimeter of the antenna has to be sealed at this position. Using the appropriate sealing.



HUBER+SUHNER is certified according to ISO 9001 and ISO 14001

WAIVER!

It is exclusively in written agreements that we provide our customers with warrants and representations as to the technical contained specifications and/or the fitness for any particular purpose. The facts and figures herein are carefully compiled to the best of our knowledge, but they are intended for general informational purposes only.



HUBER+SUHNER AG
RF Technology
9100 Herisau, Switzerland
Phone +41 (0)71 353 41 11
Fax +41 (0)71 353 47 51
www.hubersuhner.com