

HUBER+SUHNER[®]

SENCITY[®] RAIL EXCEL ANTENNA

FOR WIRELESS COMMUNICATION



Mounting Instruction



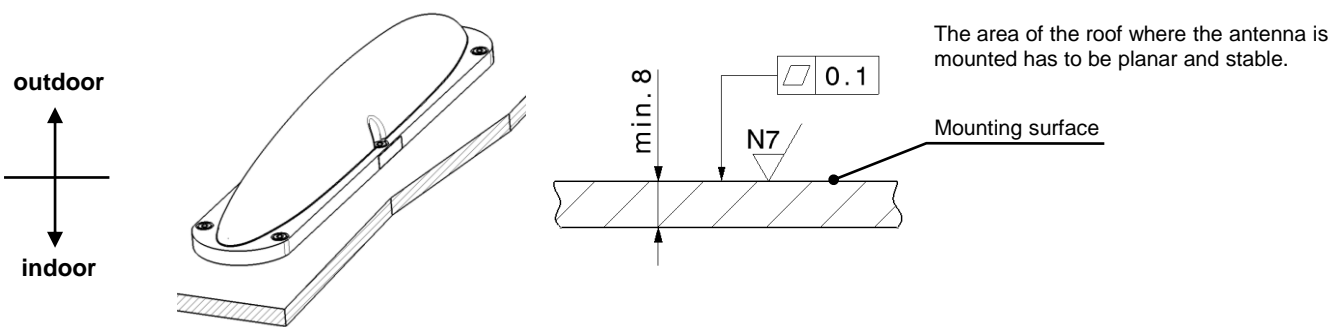
Keep away from catenary and high voltage lines.
Be careful when working at height!
Always secure ladders!
Always tighten screws!



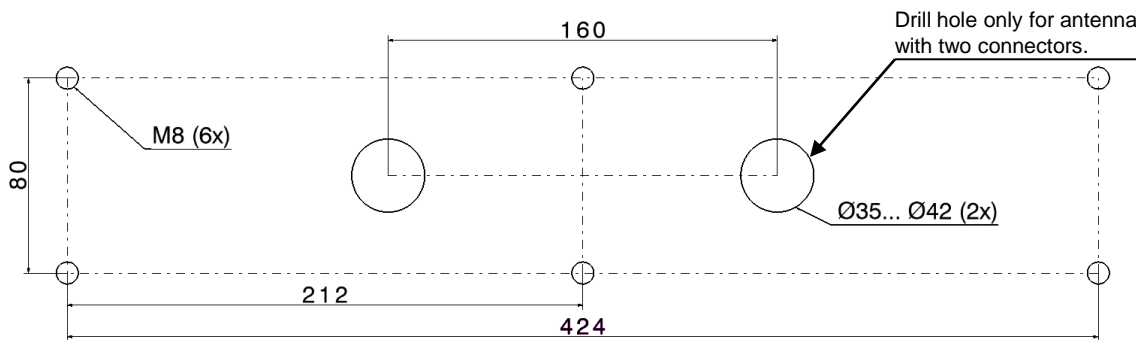
Avoid bringing the cover of the antenna into contact with acetone, gasoline or oil.

Dimensions in millimetre [mm]

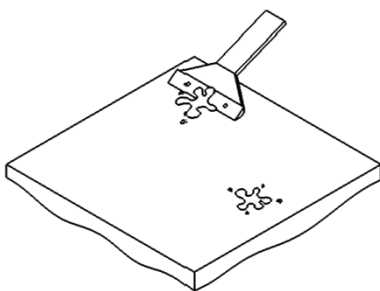
Mounting surface



Drilling of threaded hole for mounting

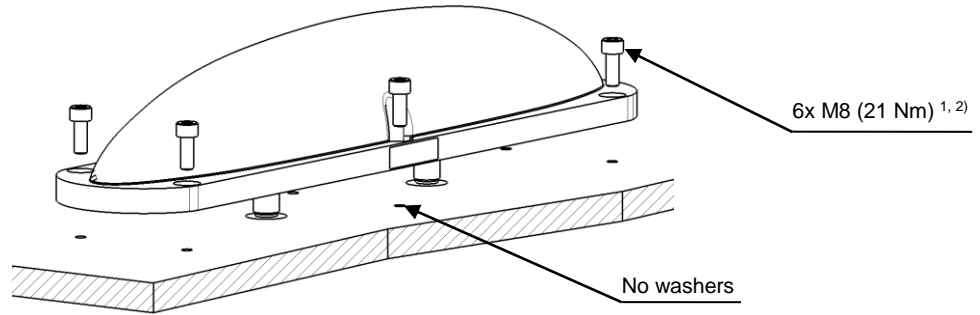


Preparation of roof



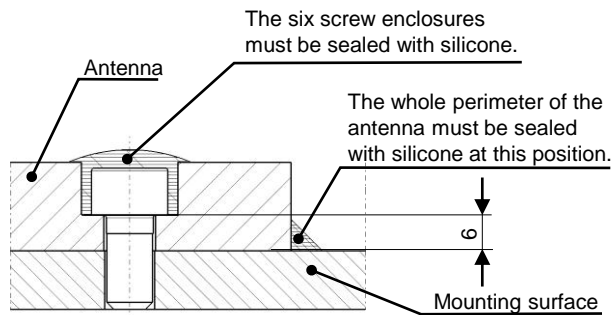
1. Clear the area where the antenna is mounted from paint, corrosion or any anodized layer.
2. Clear this area from any dust, brake dust, cutting chip, oil or fat.

Mounting

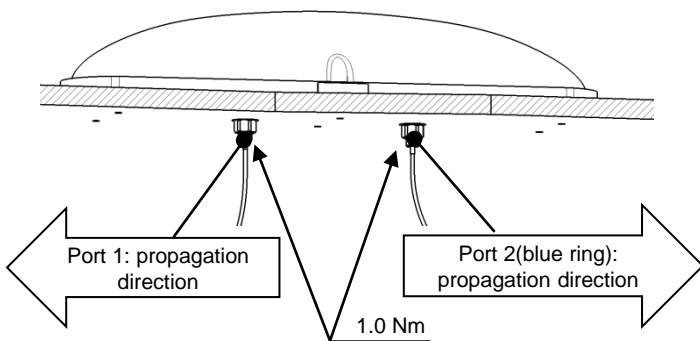


- 1) For a minimum 8 mm thick steel plate.
- 2) Use screws with a minimum length of 14mm.
Mounting screws are not included (ISO 4762).

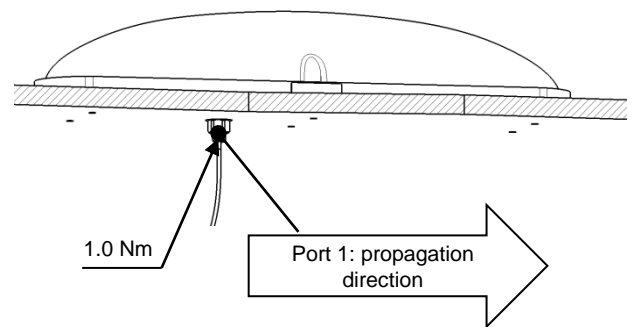
Sealing



Connection of cables (2 connectors)



Connection of cable (1 connector)



General remarks

In the final position of the antenna, the draining hole and the connectors need to be protected against environmental impacts (indoor environment).

HUBER+SUHNER is certified according to ISO 9001 and ISO 14001

WAIVER!

It is exclusively in written agreements that we provide our customers with warrants and representations as to the technical contained specifications and/or the fitness for any particular purpose. The facts and figures herein are carefully compiled to the best of our knowledge, but they are intended for general informational purposes only.

HUBER+SUHNER – Excellence in Connectivity Solutions



HUBER+SUHNER AG
RF Technology
9100 Herisau, Switzerland
 Phone +41 (0)71 353 41 11
 Fax +41 (0)71 353 47 51
 www.hubersuhner.com

Doc. No. 0000257682
 Art. No. 84043904
 Revision B