



HUBER+SUHNER[®] SENCITY[®] VEHICLE ANTENNA FOR WIRELESS COMMUNICATION



SWA 2459/360/7/20/V_1

Technical Data

Electrical Properties

Frequency range [MHz]	2400 - 2500	2500 - 2700	3400 - 3700	4900 - 5470	5470 - 5935
Impedance	50 Ω				
VSWR*	1.8	2	2	1.8	1.8
Polarization	linear, vertical				
Gain (using a ø1 m ground plane)	6.0 dBi	6.0 dBi	7.0 dBi	8.0 dBi	8.0 dBi
3 dB beamwidth horizontal (without ø1 m ground plane)	360°	360°	360°	150°	170°
10 dB beamwidth horizontal (without ø1 m ground plane)	360°				
Max. power	75 W (CW) at 25°C				

* Note that all VSWR values are guaranteed with and without ground plane.

Mechanical & Environmental Properties

Dimensions	Ø 86 x 43 mm (Ø 3.39" x 1.69")
Weight	0.3 kg (0.66 lbs.)
Radome material	LEXAN EXL 9330
Radome colour	RAL 7044 (silk grey)
Back/base plane material	aluminium
2002/95/EC (RoHS)	compliant
Operating temperature range	- 40°C to + 80°C
Storage temperature range	- 40°C to + 80°C
Windload	10 N at 160 km/h (100 mph)
Ingress Protection	IP 65

Meets the following requirements:

- Environmental tests according to EN 50155
- EN 50124-1, insulation coordination (27.5 kV AC and 3.8 kV DC).
- NF-F-16-101, NF-F-16-102: railway fire retardant and toxicity standards
- UIC 533, DC-grounded for protection against lightning and catenary lines (10 kA).

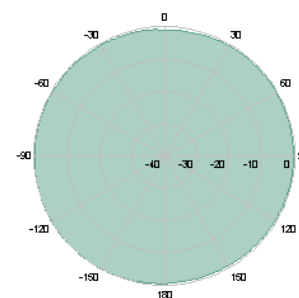
Available Types

Article no.	
1399.17.0106	N female

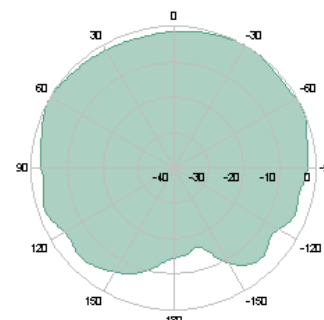
Documents

Doc.N°. DOC-0000278984	security instruction
Doc.N°. DOC-0000224458	mounting instruction

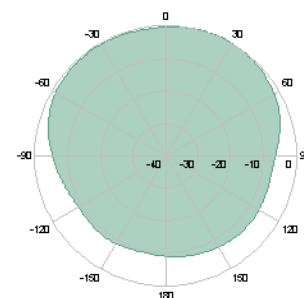
Radiation Pattern



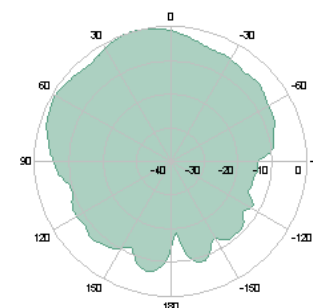
horizontal 2450 MHz



vertical 2450 MHz



horizontal 5350 MHz



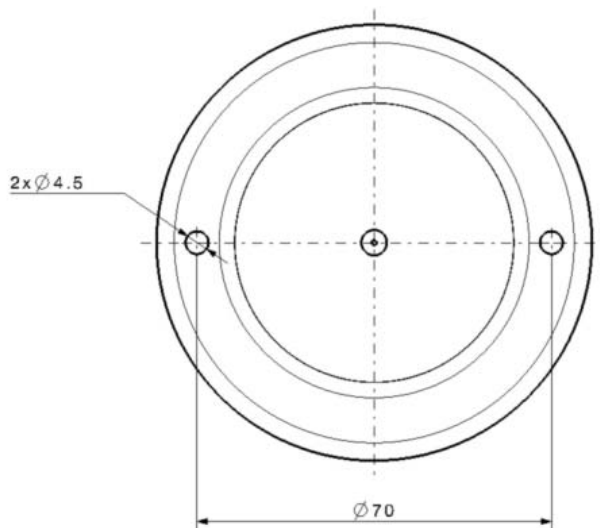
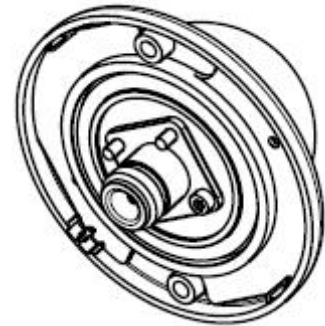
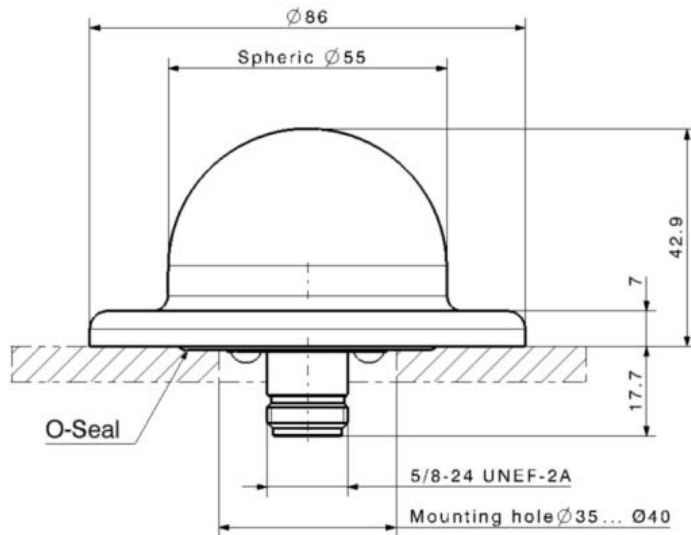
vertical 5350 MHz



HUBER+SUHNER® SENCITY® VEHICLE ANTENNA FOR WIRELESS COMMUNICATION

SWA 2459/360/7/20/V_1

Dimensions (mm)



HUBER+SUHNER is certified according to ISO 9001 and ISO 14001

WAIVER!

It is exclusively in written agreements that we provide our customers with warrants and representations as to the technical contained specifications and/or the fitness for any particular purpose. The facts and figures herein are carefully compiled to the best of our knowledge, but they are intended for general informational purposes only.

HUBER+SUHNER – Excellence in Connectivity Solutions

Document no.: DOC-0000284120
Issue no.: 9
Supersedes: 08.2009

Uncontrolled Copy

Issued/Checked/Released: 4863/4772/04.2007
Last amended: 4735/08.2009



HUBER+SUHNER AG

RF Technology

9100 Herisau, Switzerland

Phone +41 (0)71 353 41 11

Fax +41 (0)71 353 47 51

www.hubersuhner.com