



HUBER+SUHNER® OMNI ANTENNA FOR WIRELESS COMMUNICATION

SOA 5600/360/3/20/V



Technical Data

Electrical Properties

Frequency range	5150 - 5875 MHz
Impedance	50 Ω
VSWR	1.5
Polarization	linear, vertical
Gain	3.0 dBi
3 dB beamwidth horizontal	360°
3 dB beamwidth vertical	25°
Downtilt	20°
Max. power	75 W (CW) at 25°C

Mechanical & Environmental Properties

Dimensions	Ø 86 x 43 mm (Ø 3.39" x 1.69")
Weight	0.3 kg (0.66 lbs.)
Radome material	ASA
Radome colour	RAL 7035 (light grey)
Back/base plane material	aluminium
2002/95/EC (RoHS)	compliant
Operating temperature range	- 40°C to + 80°C
Storage temperature range	- 40°C to + 80°C
Windload	10 N at 160km/h (100mph)

Available Types

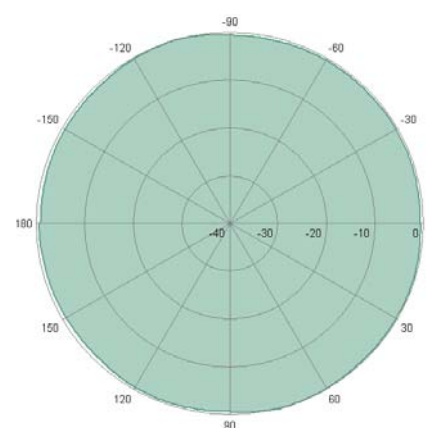
	Article no.	
1356.17.0006	23028910	N female
1356.19.0006	23034149	SMA female

Ceiling mounting material included.

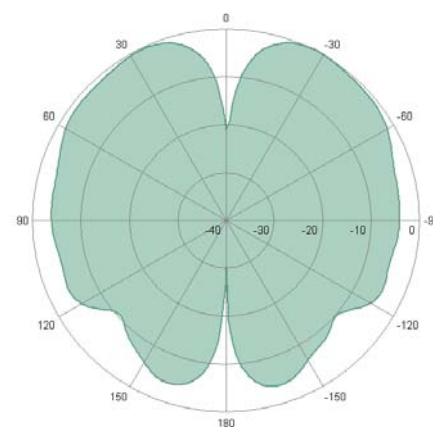
Documents

01.02.0777	security instruction
01.02.1089	mounting instruction

Radiation Pattern



horizontal



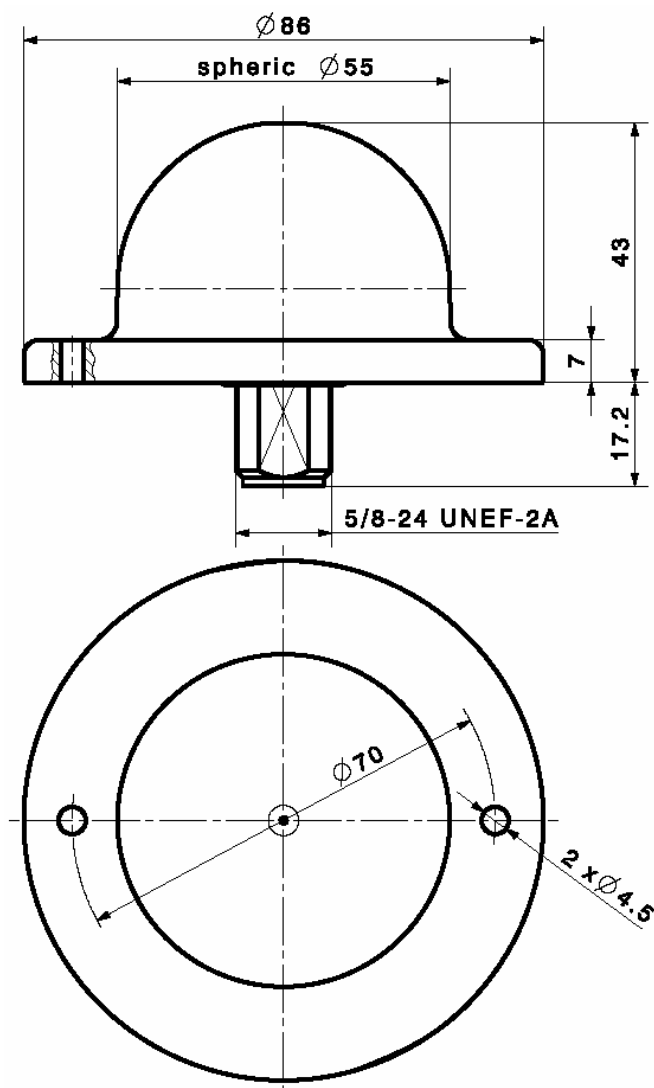
vertical



HUBER+SUHNER® OMNI ANTENNA FOR WIRELESS COMMUNICATION

SOA 5600/360/3/20/V

Dimensions (mm)



HUBER+SUHNER is certified according to ISO 9001 and ISO 14001

WAIVER!

It is exclusively in written agreements that we provide our customers with warrants and representations as to the technical contained specifications and/or the fitness for any particular purpose. The facts and figures herein are carefully compiled to the best of our knowledge, but they are intended for general informational purposes only.

HUBER+SUHNER – Excellence in Connectivity Solutions

Document no.: 01.02.0911
Issue no.: 9
Supersedes: 07.2005

Uncontrolled Copy

Issued/Checked/Released: 4159/4772/10.2002
Last amended: 4417/07.2006



HUBER+SUHNER AG
RF Technology
9100 Herisau, Switzerland
Phone +41 (0)71 353 41 11
Fax +41 (0)71 353 47 51
www.hubersuhner.com